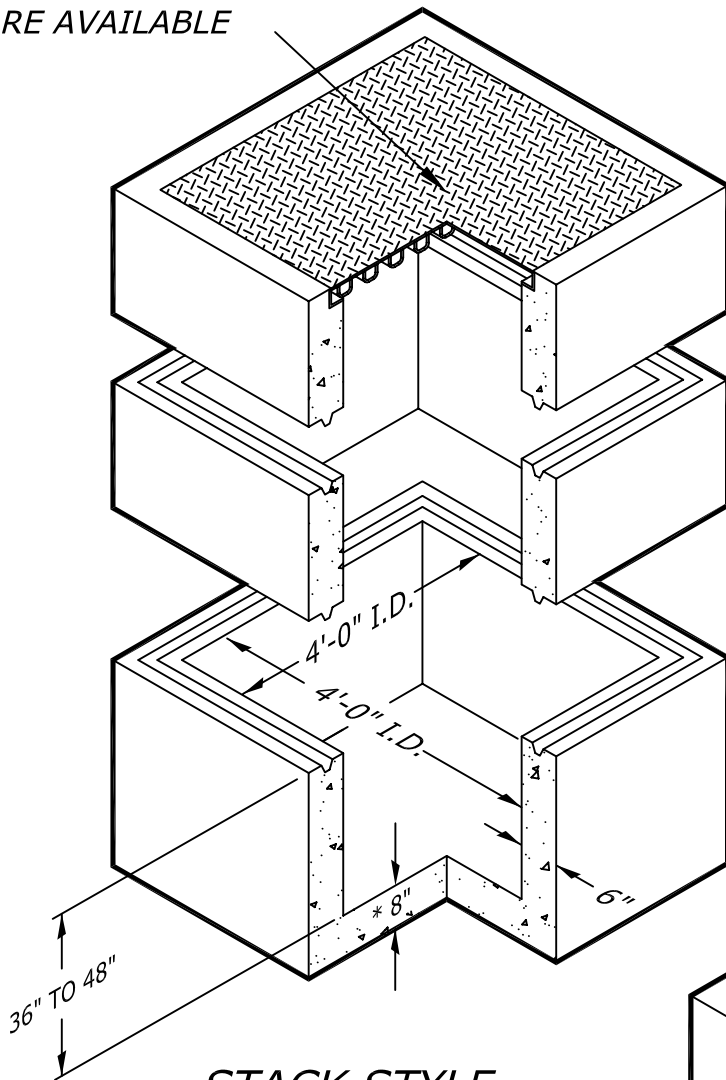


FULL OPENING COVERS
ARE AVAILABLE

STACK SECTIONS ARE AVAILABLE
FROM 12" TO 48" IN HEIGHT
(1,350 LBS. PER VERTICAL FOOT)

36" HIGH SECTION (NO OPENINGS,
6" THK. WALL) = 6,550 LBS.
48" HIGH SECTION (NO OPENINGS,
6" THK. WALL) = 7,900 LBS.



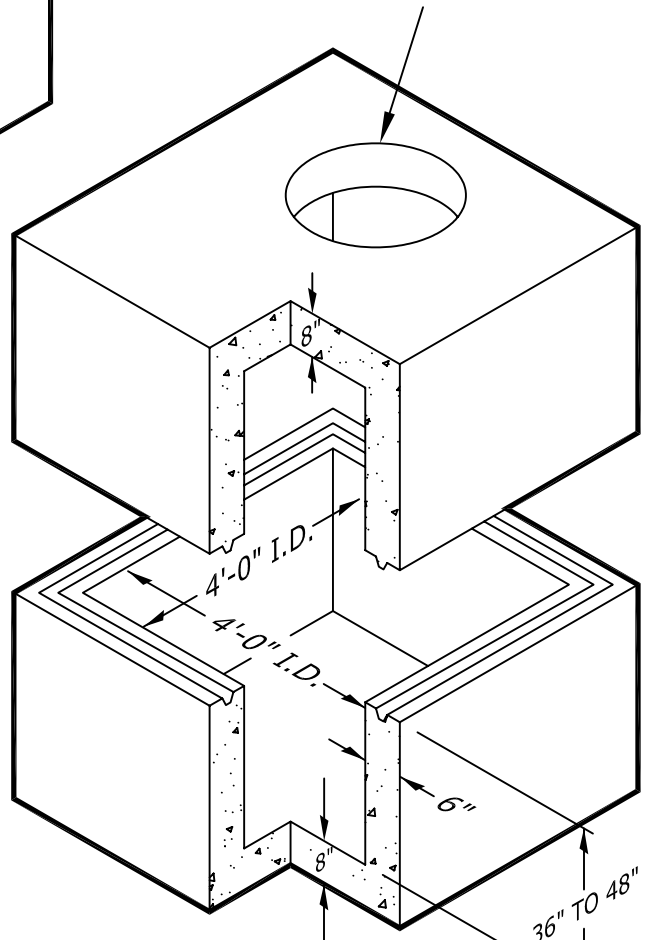
STACK STYLE

* FLAT SLAB BASES ARE ALSO AVAILABLE.

36" HIGH SECTION (NO OPENINGS,
6" THK. WALL) = 6,550 LBS.
48" HIGH SECTION (NO OPENINGS,
6" THK. WALL) = 7,900 LBS.

PULL IRONS, INSERTS, ACCESS DOORS
SUMPS, KNOCKOUTS, BLOCKOUTS AND
OPENINGS ARE AVAILABLE PER JOB
REQUIREMENTS.

OPENING SIZES AND LOCATIONS MAY VARY
(THIS INCLUDES RECTANGULAR
ACCESS DOORS AND CAST IN
RING AND COVERS)



BATHTUB STYLE

