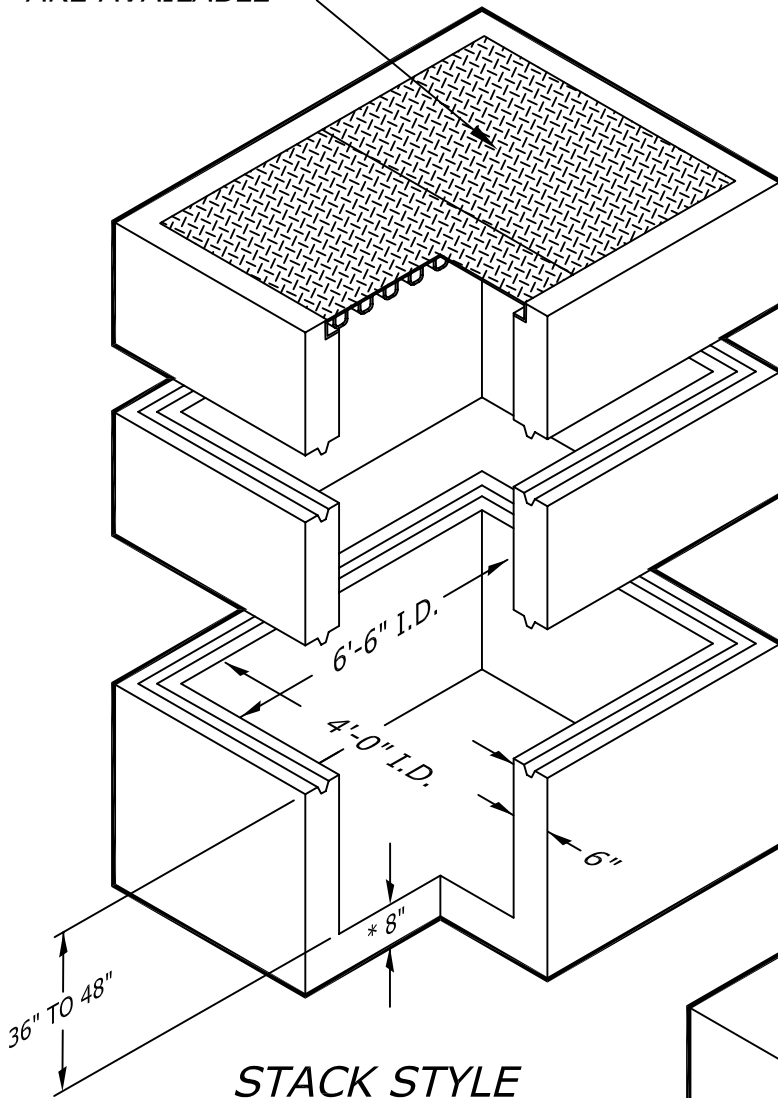


FULL OPENING COVERS  
ARE AVAILABLE

STACK SECTIONS ARE AVAILABLE  
FROM 12" TO 48" IN HEIGHT  
(1,725 LBS. PER VERTICAL FOOT)

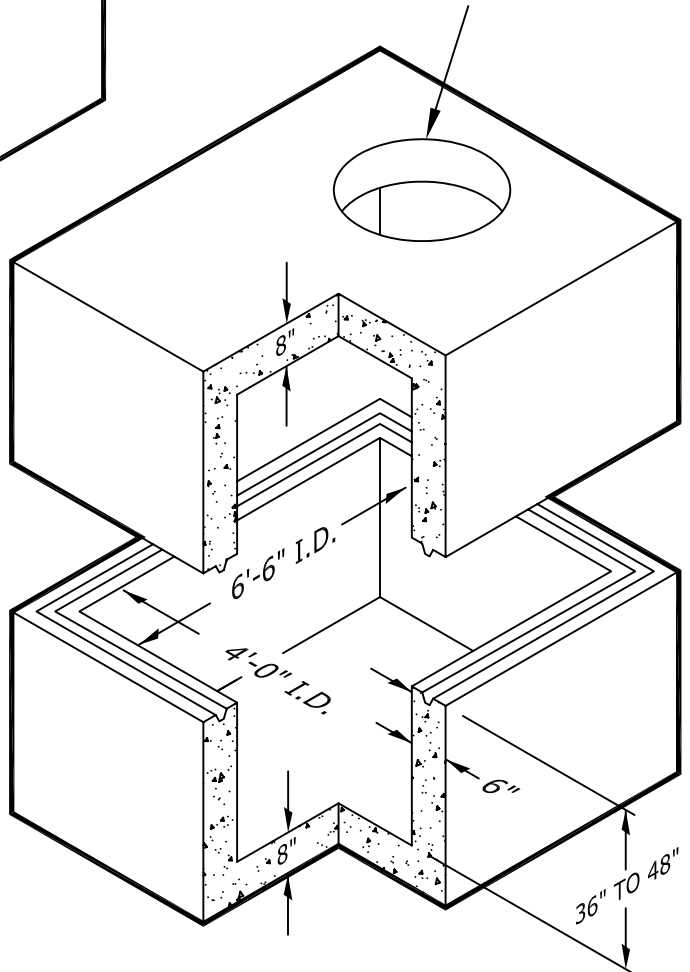
36" HIGH SECTION (NO OPENINGS,  
6" THK. WALL) = 8,925 LBS.  
48" HIGH SECTION (NO OPENINGS,  
6" THK. WALL) = 10,650 LBS.



**STACK STYLE**

\* FLAT SLAB BASES ARE ALSO AVAILABLE.

OPENING SIZES AND LOCATIONS MAY VARY  
(THIS INCLUDES RECTANGULAR  
ACCESS DOORS AND CAST IN  
RING AND COVERS)



**BATHTUB STYLE**

36" HIGH SECTION (NO OPENINGS,  
6" THK. WALL) = 8,925 LBS.  
48" HIGH SECTION (NO OPENINGS,  
6" THK. WALL) = 10,650 LBS.

PULL IRONS, INSERTS, ACCESS DOORS  
SUMPS, KNOCKOUTS, BLOCKOUTS AND  
OPENINGS ARE AVAILABLE PER JOB  
REQUIREMENTS.

