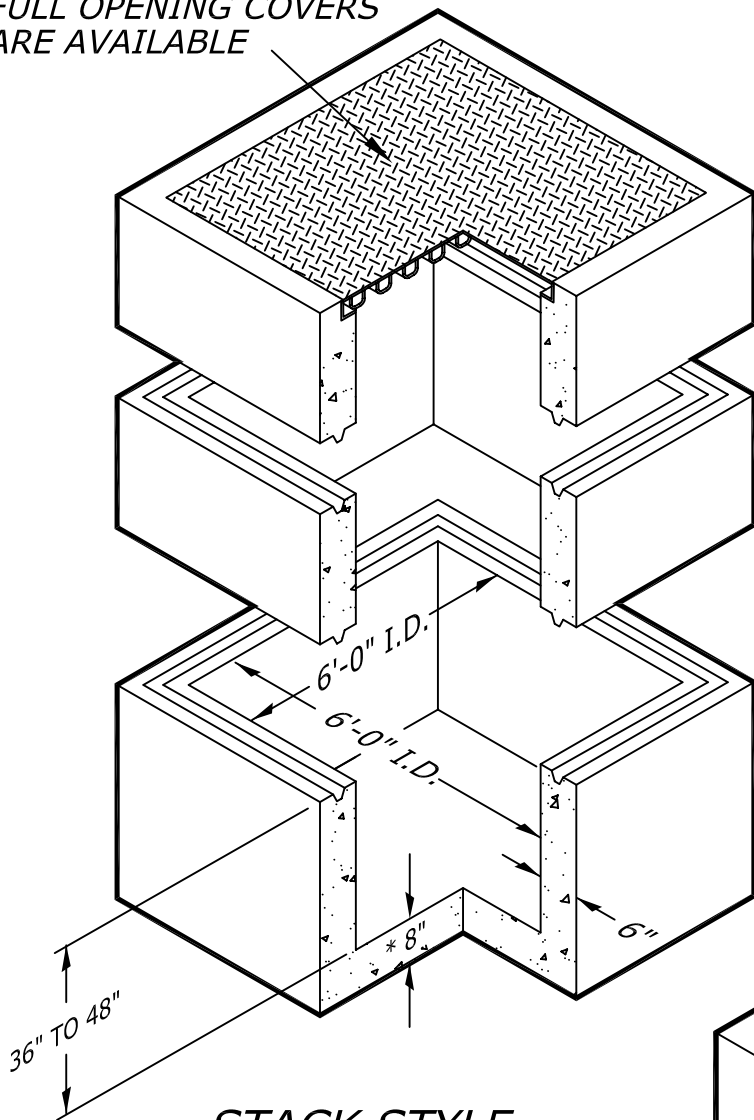


FULL OPENING COVERS
ARE AVAILABLE

STACK SECTIONS ARE AVAILABLE
FROM 12" TO 48" IN HEIGHT
(1,950 LBS. PER VERTICAL FOOT)

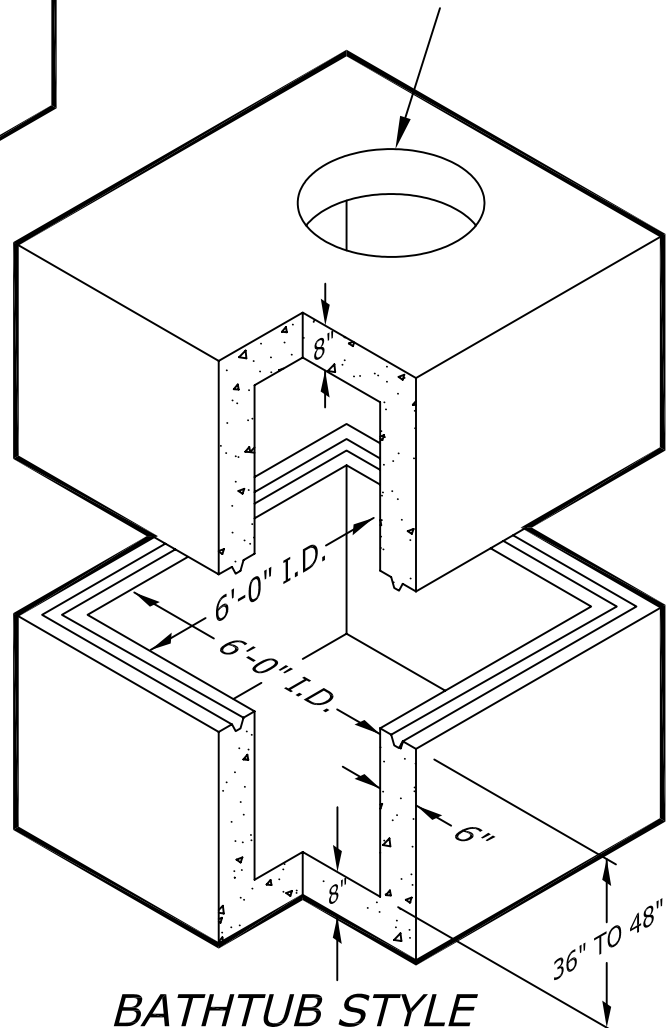
36" HIGH SECTION (NO OPENINGS,
6" THK. WALL) = 10,750 LBS.
48" HIGH SECTION (NO OPENINGS,
6" THK. WALL) = 12,700 LBS.



STACK STYLE

* FLAT SLAB BASES ARE ALSO AVAILABLE.

OPENING SIZES AND LOCATIONS MAY VARY
(THIS INCLUDES RECTANGULAR
ACCESS DOORS AND CAST IN
RING AND COVERS)



BATHTUB STYLE

PULL IRONS, INSERTS, ACCESS DOORS
SUMPS, KNOCKOUTS, BLOCKOUTS AND
OPENINGS ARE AVAILABLE PER JOB
REQUIREMENTS.

THIS ILLUSTRATION IS FOR GENERAL USE
ONLY. DESIGN FOR H-20-44-LOAD.

