

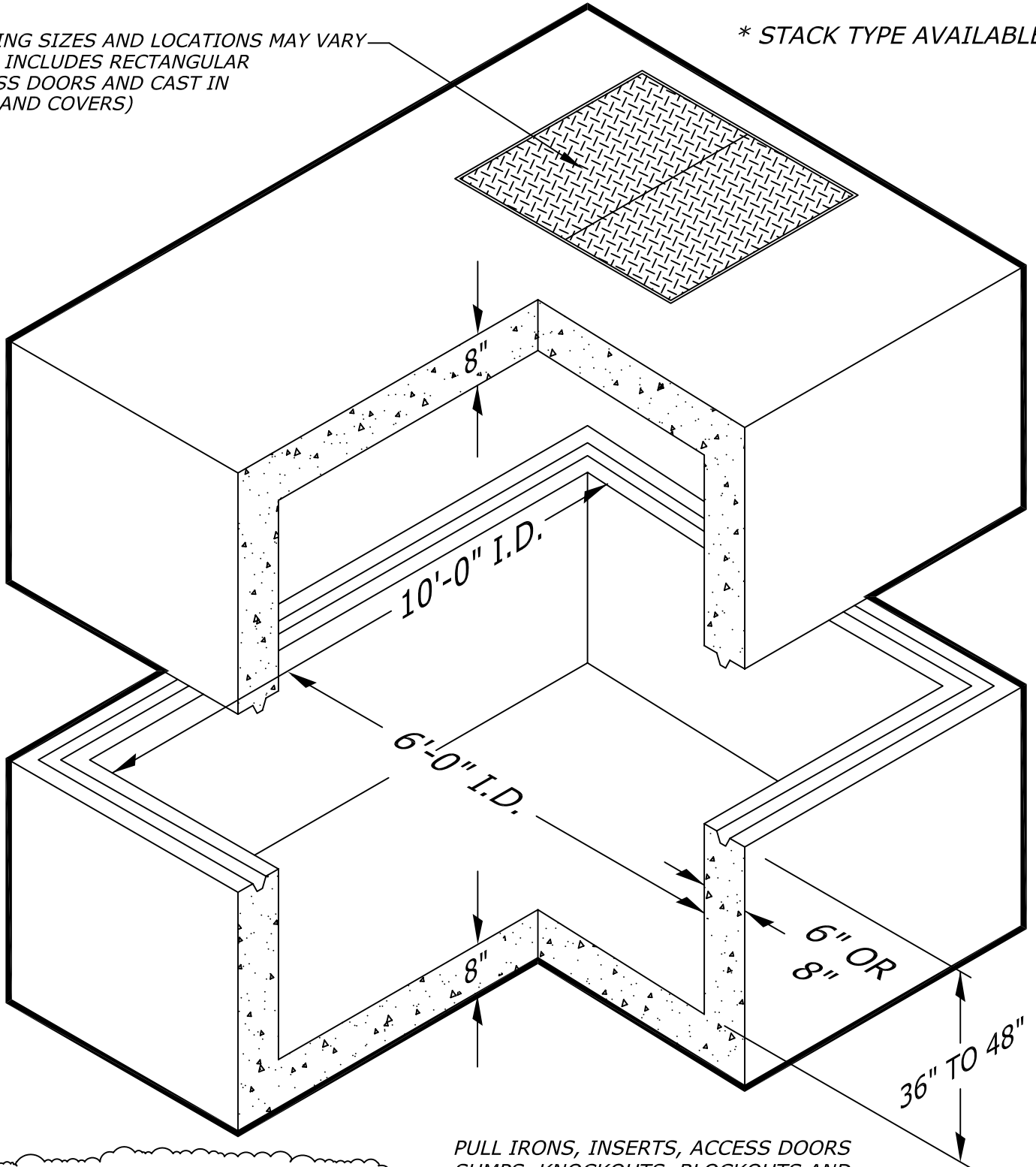
GENERAL NOTES:

36" HIGH SECTION (NO OPENINGS, 6" THK. WALL) = 15,350 LBS.

48" HIGH SECTION (NO OPENINGS, 6" THK. WALL) = 17,900 LBS.

OPENING SIZES AND LOCATIONS MAY VARY
(THIS INCLUDES RECTANGULAR
ACCESS DOORS AND CAST IN
RING AND COVERS)

* STACK TYPE AVAILABLE.



THIS ILLUSTRATION IS FOR GENERAL USE ONLY. DESIGN FOR H-20-44-LOAD.

PULL IRONS, INSERTS, ACCESS DOORS
SUMPS, KNOCKOUTS, BLOCKOUTS AND
OPENINGS ARE AVAILABLE PER JOB
REQUIREMENTS.

