

3" X 3" X 3/8" X 29 1/2" ANGLE
 CUT 45 DEG. BOTH ENDS
 4 PCS. REQ.'D

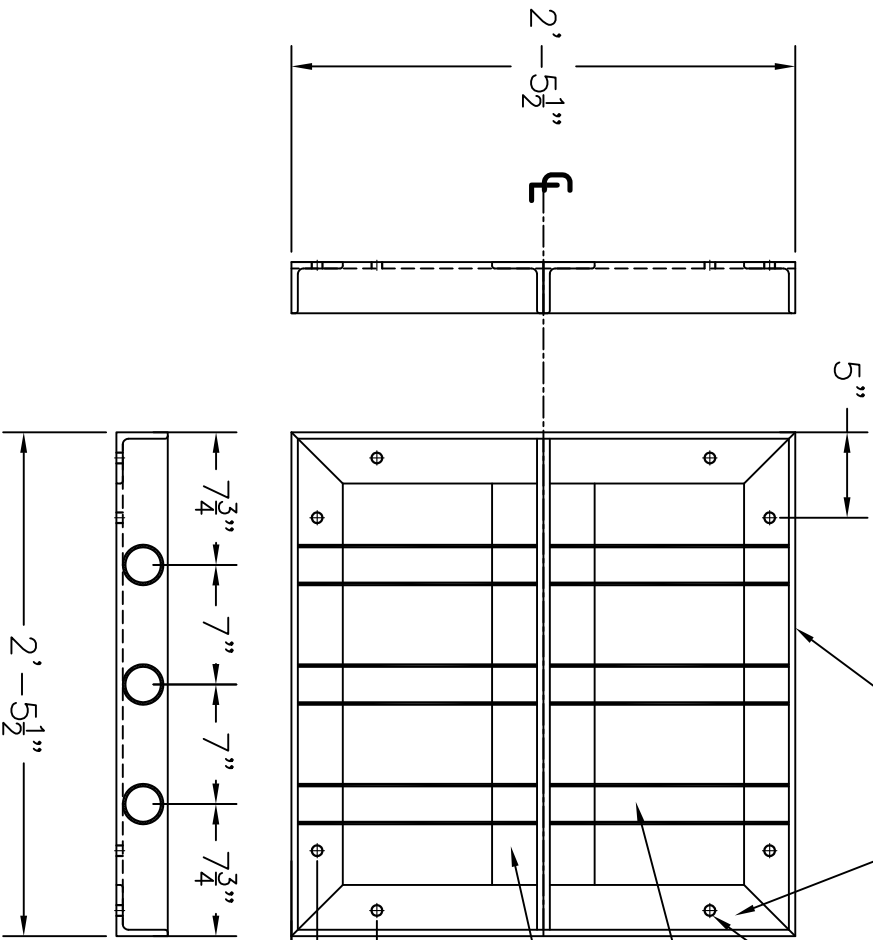
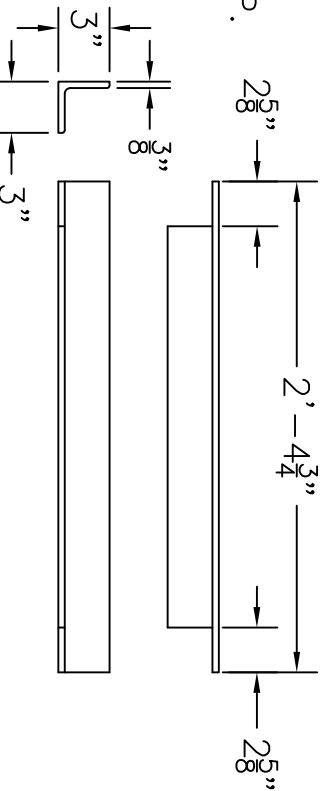
5/8" DIA. THRU. 8 PLACES

2" SCH. 40 PIPE 14" LONG
 6 PCS. REQ.'D (BLACK PIPE)

3" X 3" X 3/8" X 28 3/4" ANGLE
 NOTCHED AS SHOWN BELOW
 2 PCS. REQ.'D

5" TYP.

1 1/2" TYP.



NOTE: HOT DIP GALV. AFTER FABRICATION

